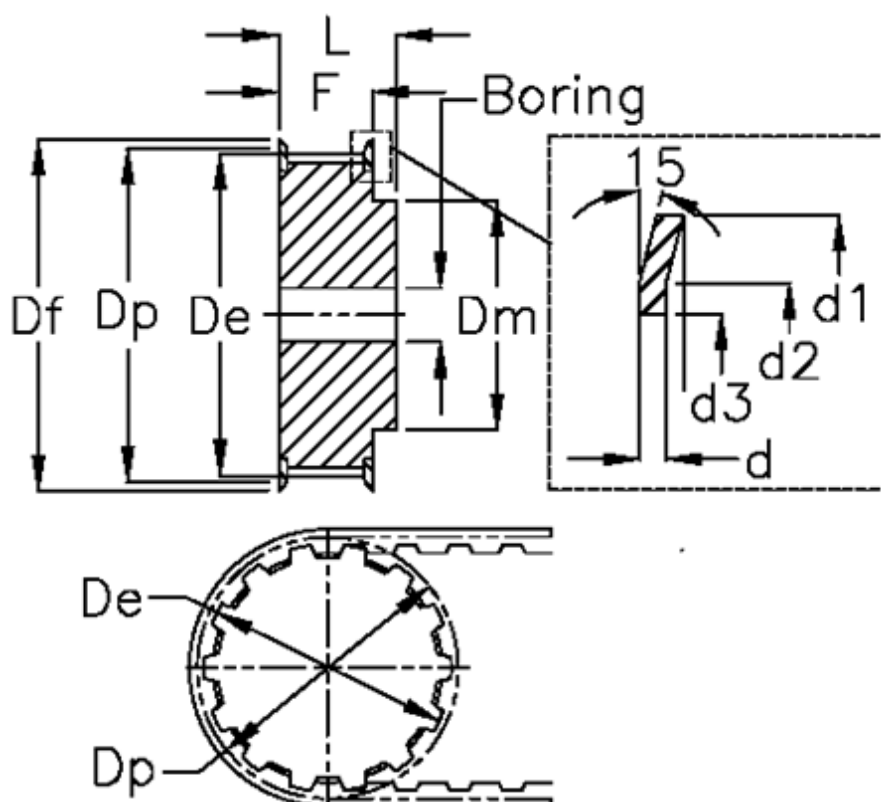


Article number: 604142016025

Description: Timing belt pulley with hub  
HTD 16 5M 25

## Measures



Bore = 6	Dp = 25.46
d = 1	F = 30.5
d1 = 28	Flange type = F09
d2 = 24	L = 38
d3 = 17.8	Tooth number = 16
De = 24.32	Type = 5M
Df = 28	Weight = 0.1
Dm = 16.5	Width = 25